



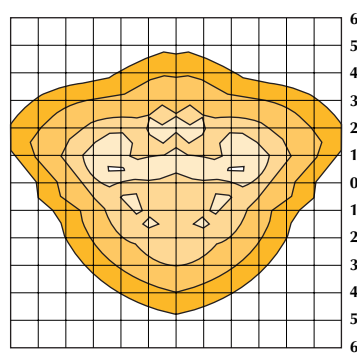
**GENERATION**  
SERIES

ACORN ACN-2  
post top luminaire

**APPLICATION**

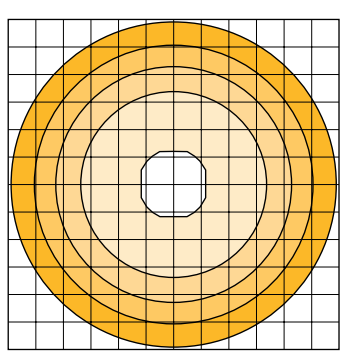
The ACN Series traditional character with updated styling and superior photometric performance offers roadway illumination and uniformity to set a new standard for decorative post top luminaires. It's traditional styling ties in well with historic districts, downtown streetscapes, walkways, and parking lots.

**PHOTOMETRIC**



**REPORT #768055**

15' Mounting Height  
150-Watt HPS, Type III Acrylic Refractor  
16,000-Lumen Clear ED-23.5 Lamp



**REPORT #768066**

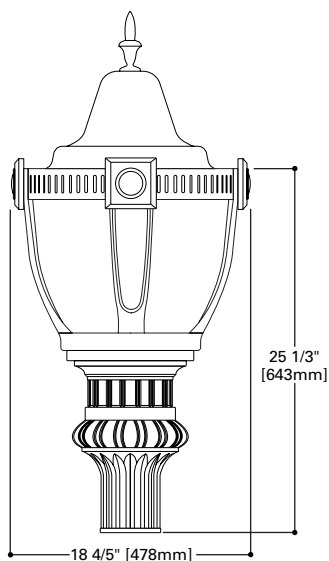
15' Mounting Height  
150-Watt HPS, Type V Acrylic Refractor  
16,000-Lumen Clear ED-23.5 Lamp

**FOOTCANDLE TABLE**

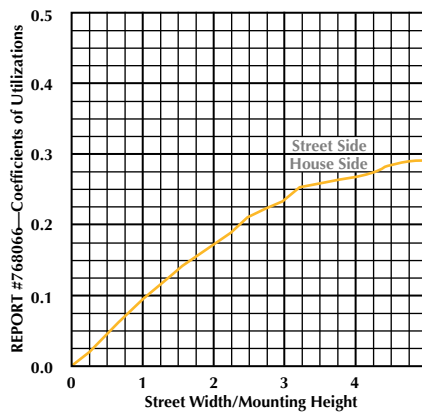
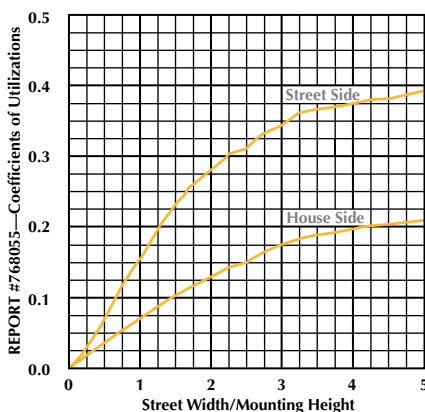
Select mounting height and read across for footcandle values of each isofootcandle line. Distance in units of mounting height.

Mounting Height	Footcandle Values for Isofootcandle Lines				
	1	2	3	4	5
<b>REPORT #768055</b>					
10'	4.50	2.25	1.12	0.45	0.22
15'	2.00	1.00	0.50	0.20	0.10
20'	1.12	0.56	0.28	0.11	0.05
<b>REPORT #768066</b>					
10'	2.25	1.12	0.45	0.22	0.11
15'	1.00	0.50	0.20	0.10	0.05
20'	0.56	0.28	0.11	0.05	0.02

**DIMENSIONS**



**COEFFICIENTS OF UTILIZATION**

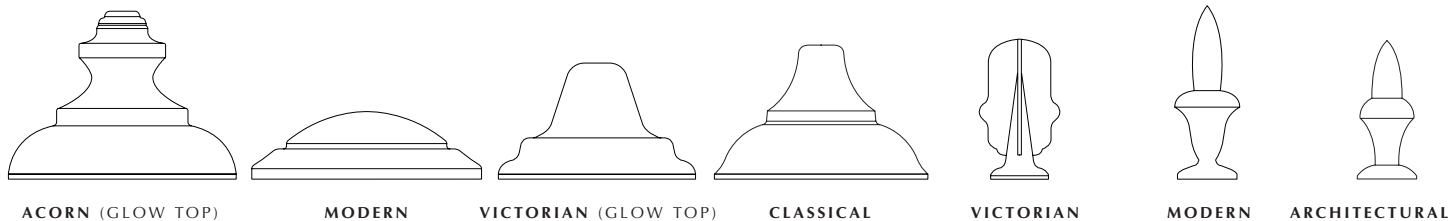


**LUMENS OUTPUT & EFFICIENCY**

REPORT #768055	LUMENS	PERCENT OF LAMP
Downward Street Side	6721.65	42.0
Downward House Side	3681.3	23.0
Downward Total	10402.95	65.0
Upward Street Side	2710.24	16.9
Upward House Side	2260.82	14.1
Upward Total	4971.06	31.1
<b>Total Flux</b>	<b>15374.01</b>	<b>96.1</b>

REPORT #768066	LUMENS	PERCENT OF LAMP
Downward Street Side	5089.05	31.8
Downward House Side	5089.04	31.8
Downward Total	10178.09	63.6
Upward Street Side	2494.74	15.6
Upward House Side	2494.73	15.6
Upward Total	4989.47	31.2
<b>Total Flux</b>	<b>15167.56</b>	<b>94.8</b>

**TOPS/FINIAL OPTIONS**



**ORDERING INFORMATION**

<b>ACN</b>									
<b>Product Family</b> ACN=Architectural	<b>Lamp Wattage</b> 50=50W 70=70W 10=100W 15=150W 17=175W 25=250W	<b>Lamp Type</b> M=Metal Halide S=High Pressure Sodium	<b>Ballast Type</b> R=Reac./NPF H=Reac./HPF N=Hi. Reac./NPF P=Hi. Reac./HPF W=CWA K=10KV CWA	<b>Voltage</b> 2=120V 0=208V 4=240V 7=277V 8=480V 9=347V W=Multi-Tap Wired 120V N=Multi-Tap Wired 277V	<b>Refractor Type</b> 33=Type III 55=Type V	<b>Cage Type</b> 1=Classical 2=Modern 3=Architectural X=None	<b>Top Type</b> 1=Acorn 2=Modern 3=Victorian 4=Classical	<b>Finial Type</b> 1=Victorian 2=Modern 3=Architectural X=None	<b>Options</b> (add as suffix) 1=Single Fuse (120, 277V) 2=Double Fused (208, 240 or 480V) 4=Internal NEMA Photocontrol Receptacle 6=White 8=Bronze B=Decorative Brass Banding H=Hartford Green SV=Silver P=Polycarbonate Refractor R=Downlight Reflector <b>Accessories</b> (order separately) AA1000=House Side Shield

NOTE: 1 When brass banding is chosen, finial finished in gold. Specifications and Dimensions subject to change without notice.